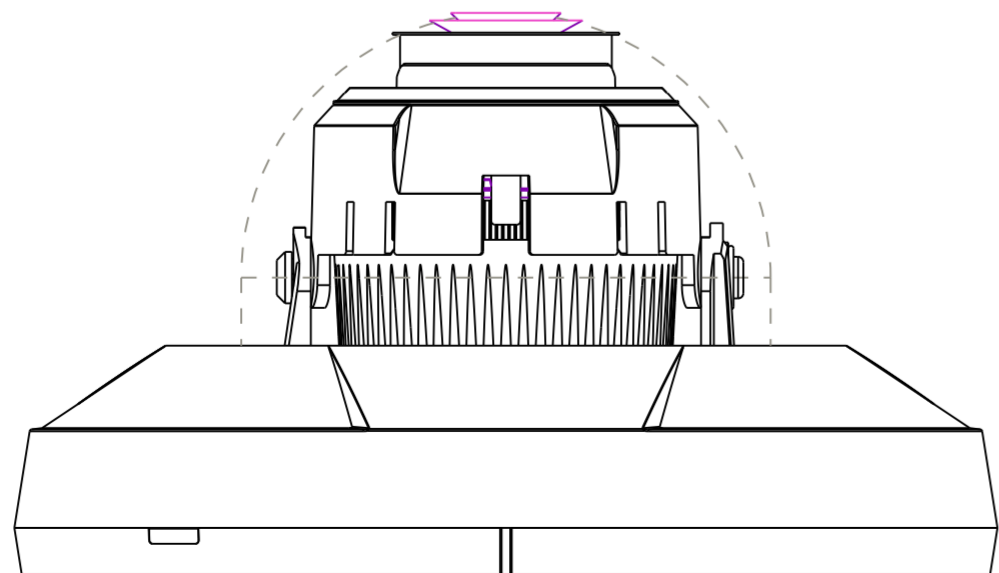
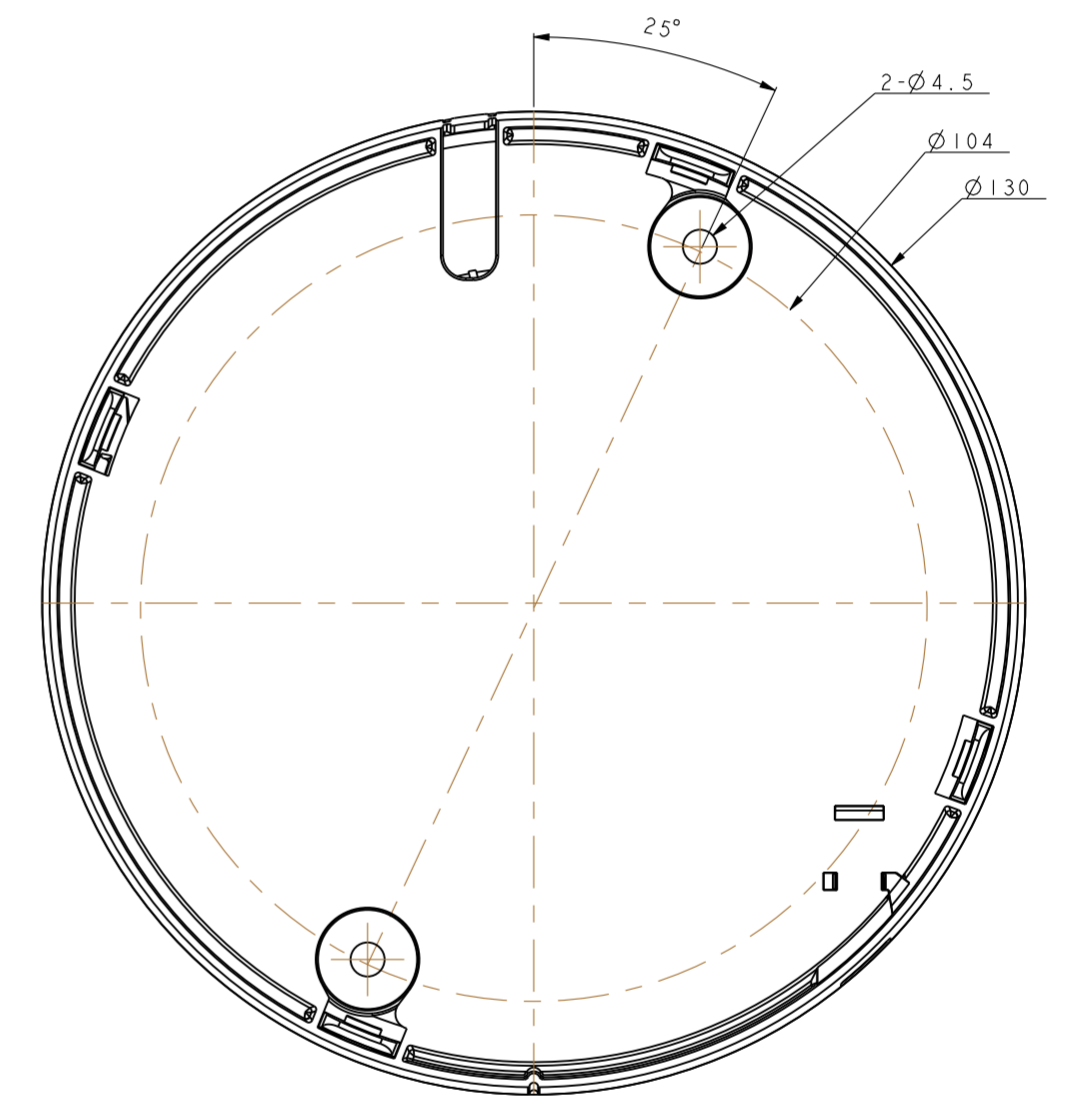
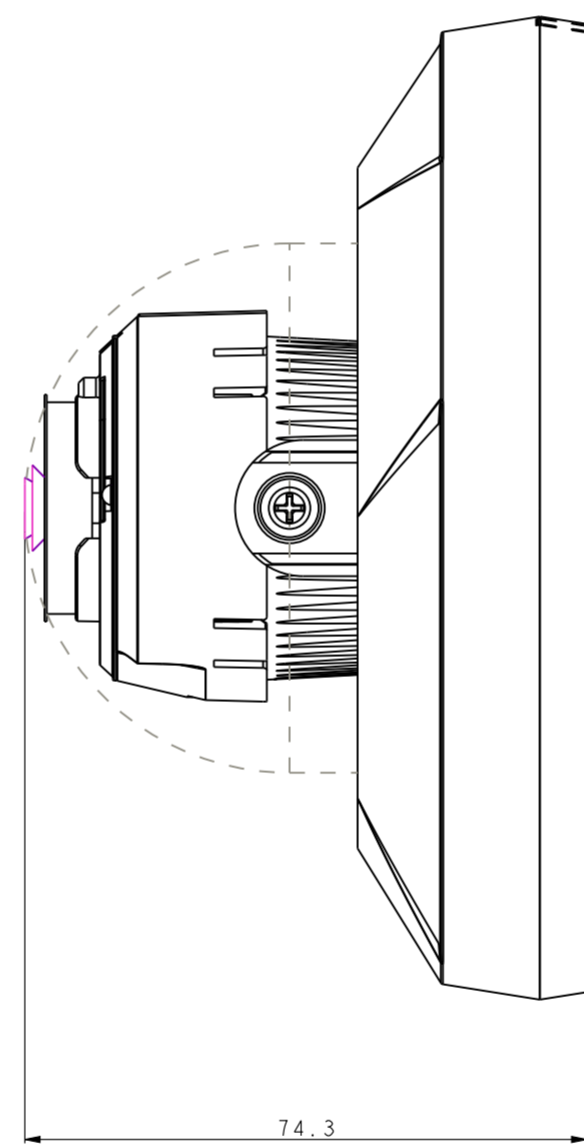
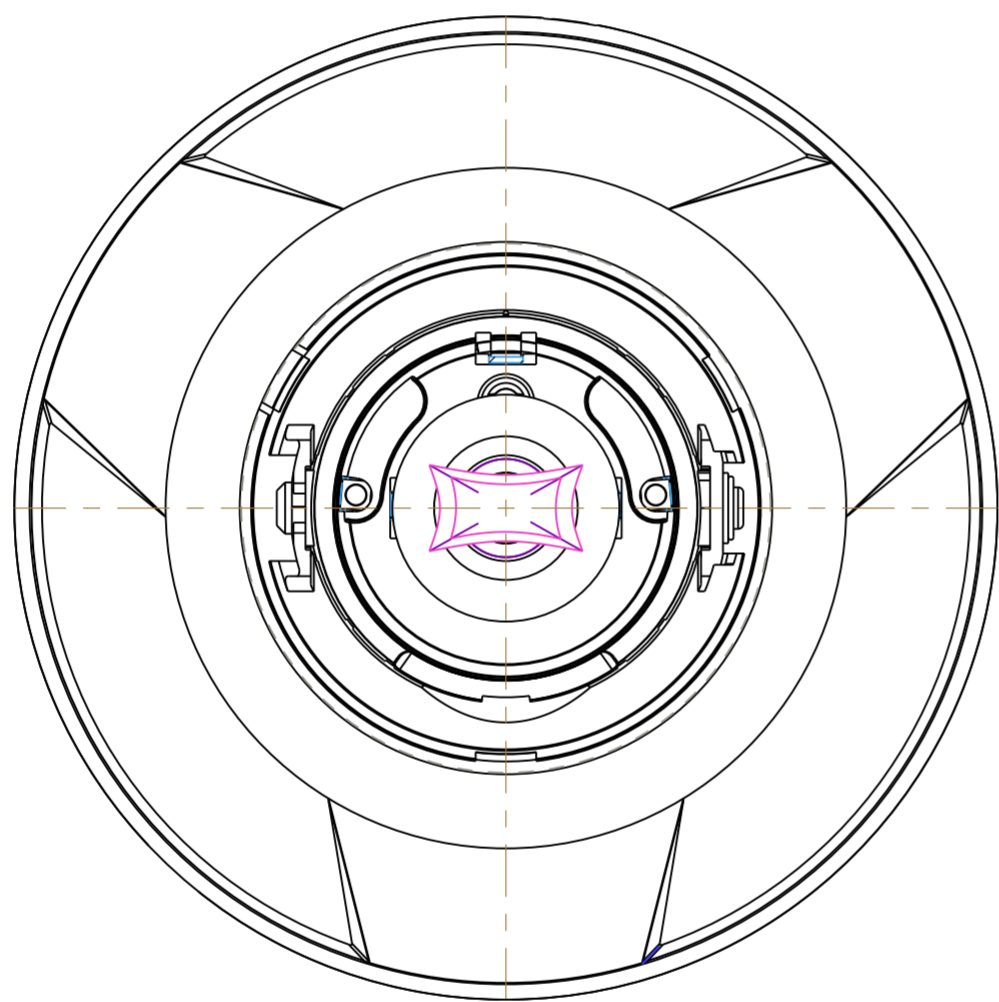
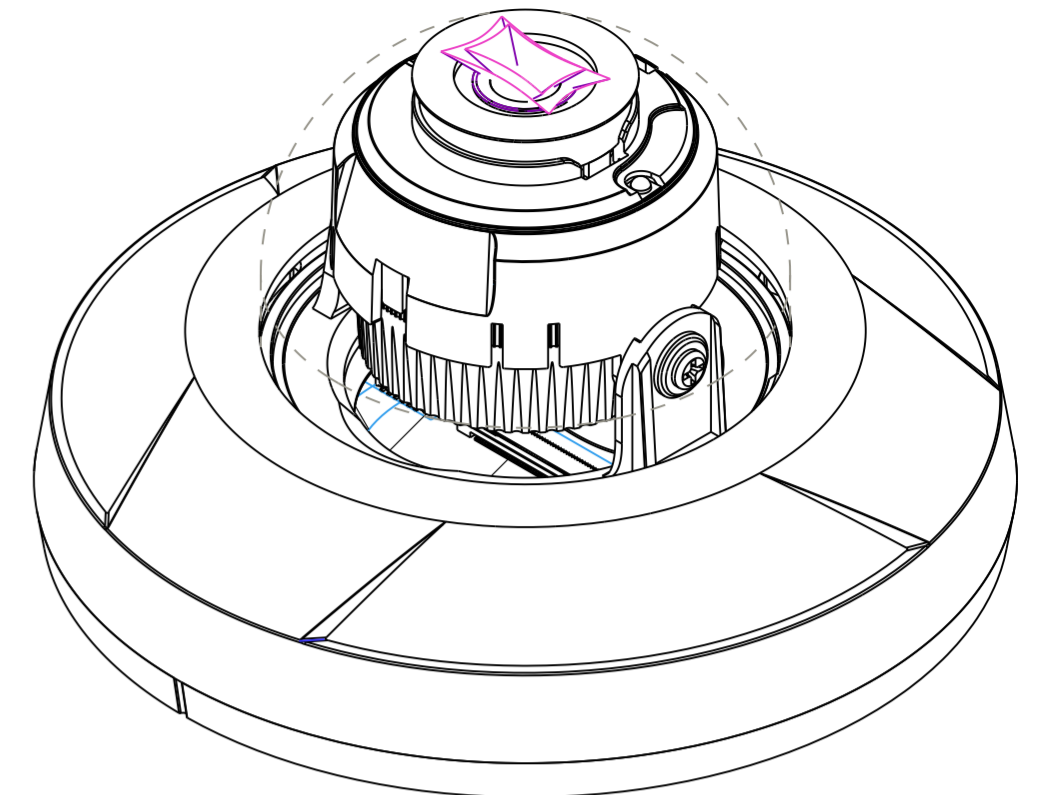
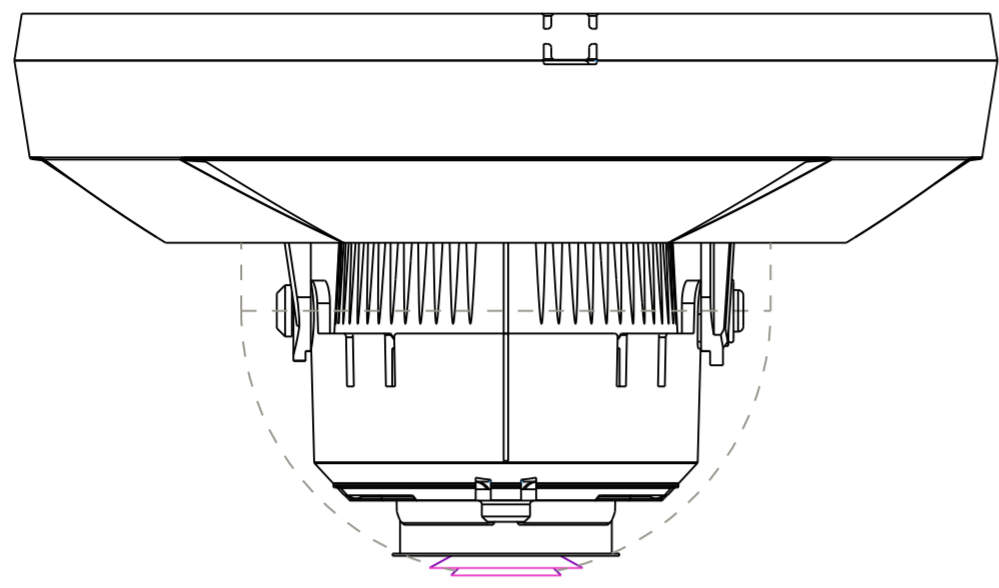


1 2 3 4 5 6 7 8 9 10 11 12

A
B
C
D
E
F
G
H



Grade		4					Angle	±	Finish	Scale
Material									1:1	
Tolerance Range (±)										
Dimension	Grade	1	2	3	4	5				
4 Under		0.1	0.1	0.1	0.2	0.5	Heat Treatment			
4 - 16 Under		0.1	0.1	0.2	0.3	0.8	Surface Treatment			
16 - 63 Under		0.1	0.2	0.3	0.5	1.2	Part Name			
63 - 250 Under		0.2	0.3	0.5	0.8	1.8	LAYOUT DC-D4212R			
250 - 1000 Under		0.3	0.5	0.8	1.2	3.0	Part No			
1000 - 2000 Under		0.5	0.8	1.2	1.8	5.0	50XXXX			
18.05.23	NEW	Designer		Drafter		Relative Part No				
Approved	Checked	SHIN SHIN		SHIN SHIN						
JEONG										