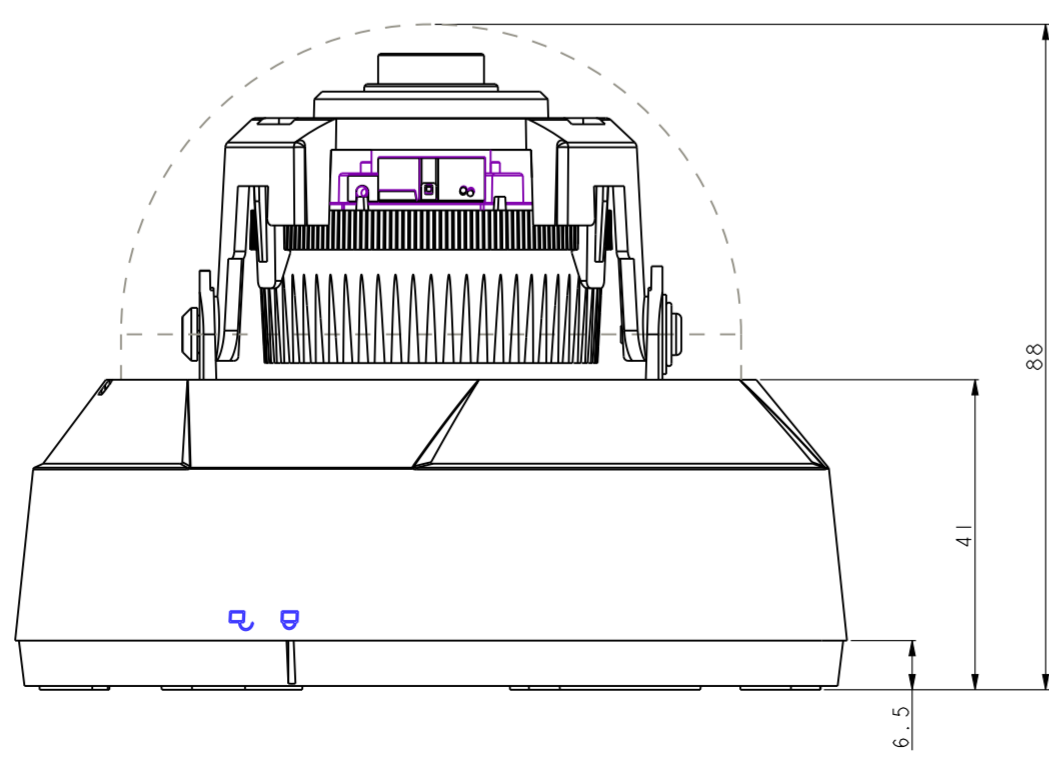
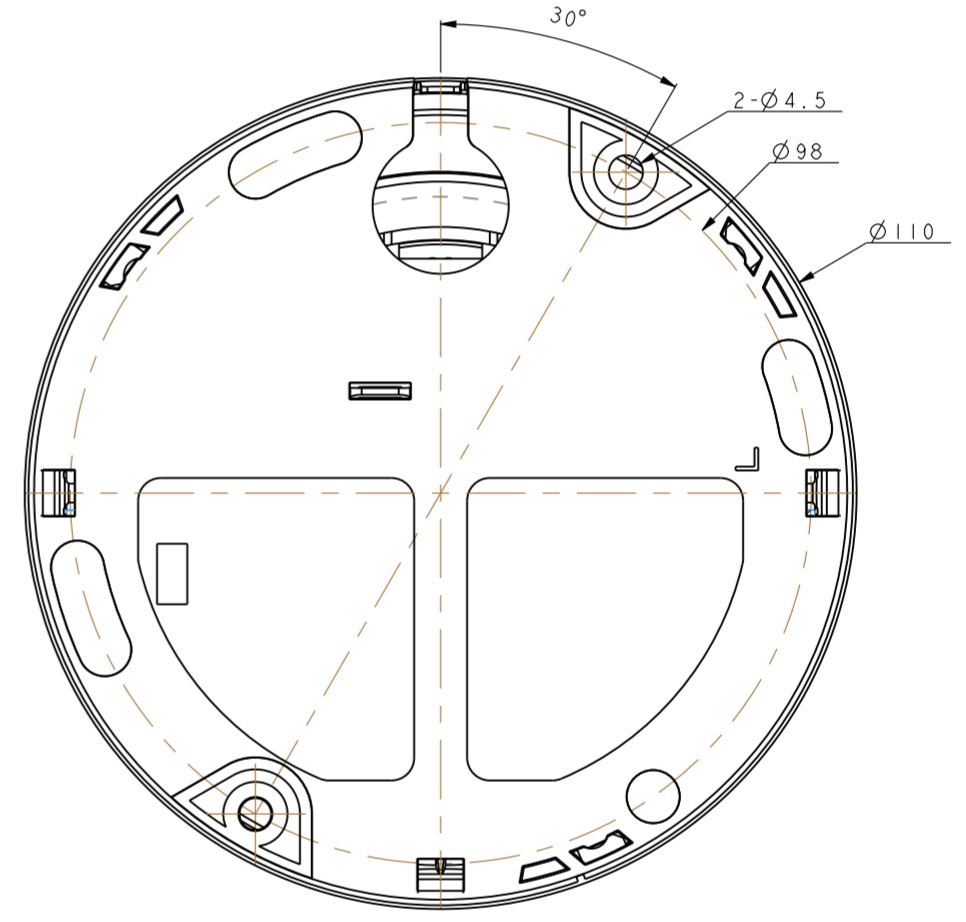
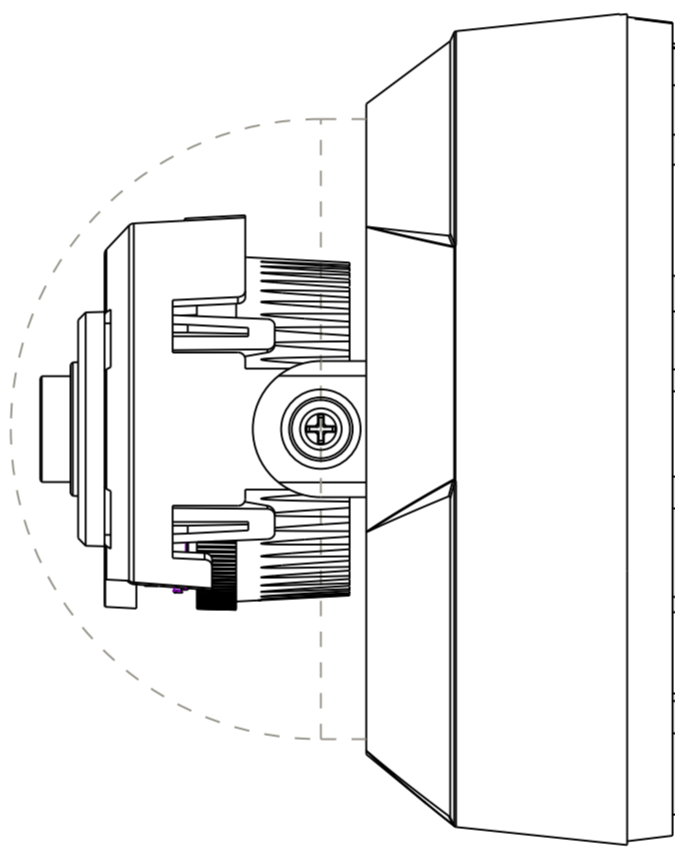
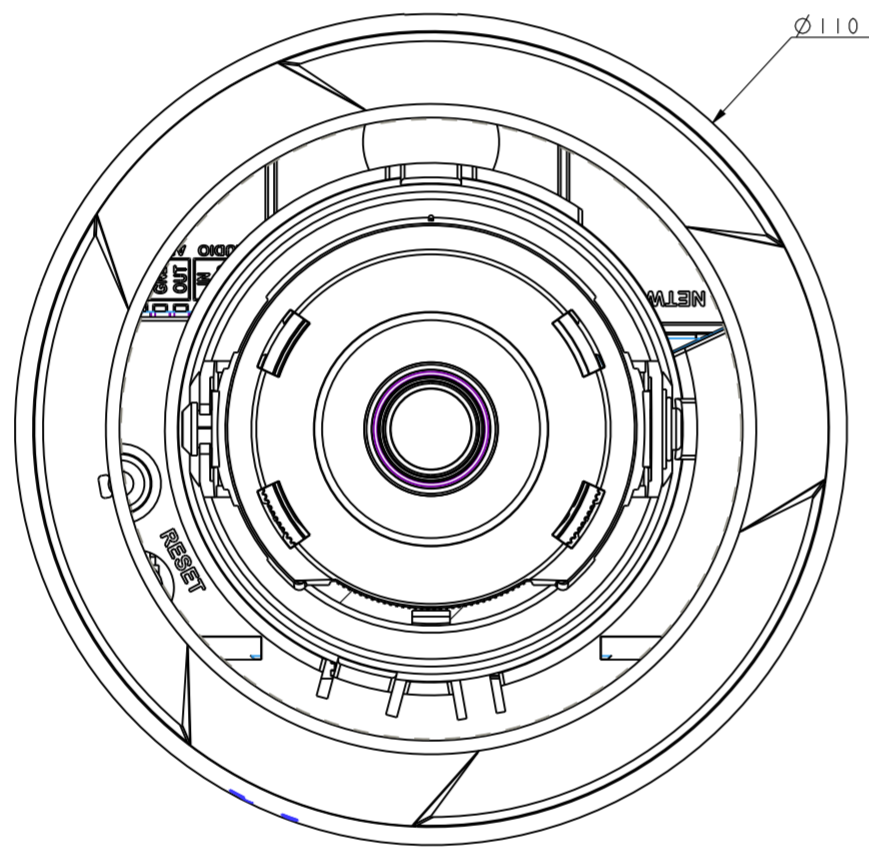
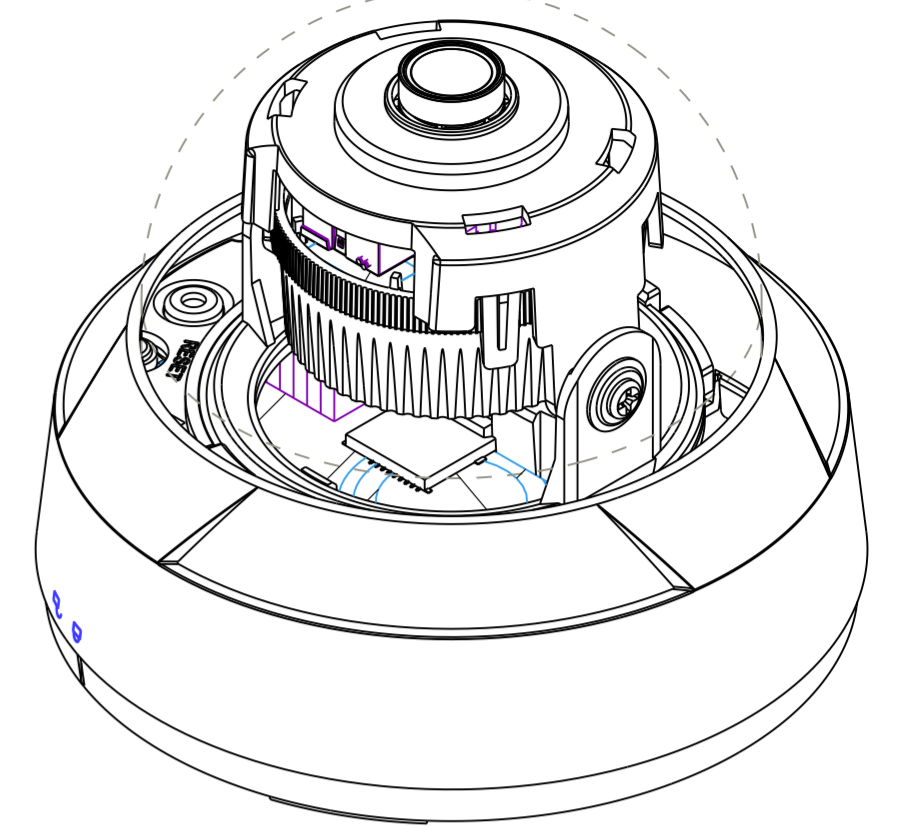
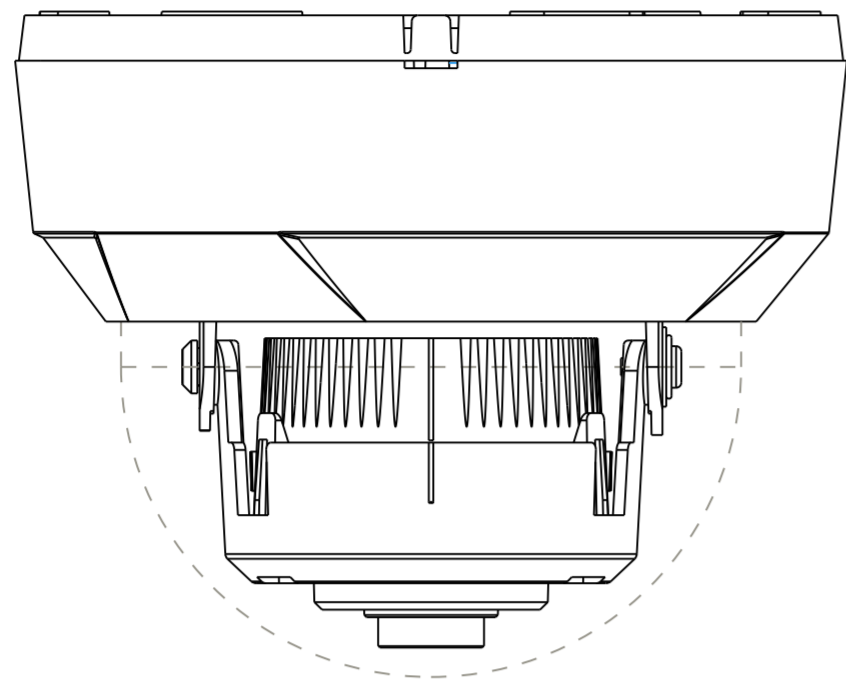


1 2 3 4 5 6 7 8 9 10 11 12

A
B
C
D
E
F
G
H



Grade		4					Angle	±		Finish	Scale
Material											1:1
Tolerance Range (±)											
Dimension	Grade	1	2	3	4	5					
4 - Under		0.1	0.1	0.1	0.2	0.5			Heat Treatment		
4 - 16 Under		0.1	0.1	0.2	0.3	0.8			Surface Treatment		
16 - 63 Under		0.1	0.2	0.3	0.5	1.2			Part Name		
63 - 250 Under		0.2	0.3	0.5	0.8	1.8			DC-D4216X #2 LAYOUT		
250 - 1000 Under		0.3	0.5	0.8	1.2	3.0			Part No		
1000 - 2000 Under		0.5	0.8	1.2	1.8	5.0			40XXXX		
19.11.18	NEW	Approved		Checked	Designer	Drafter					
		SONG		SHIN	SHIN						