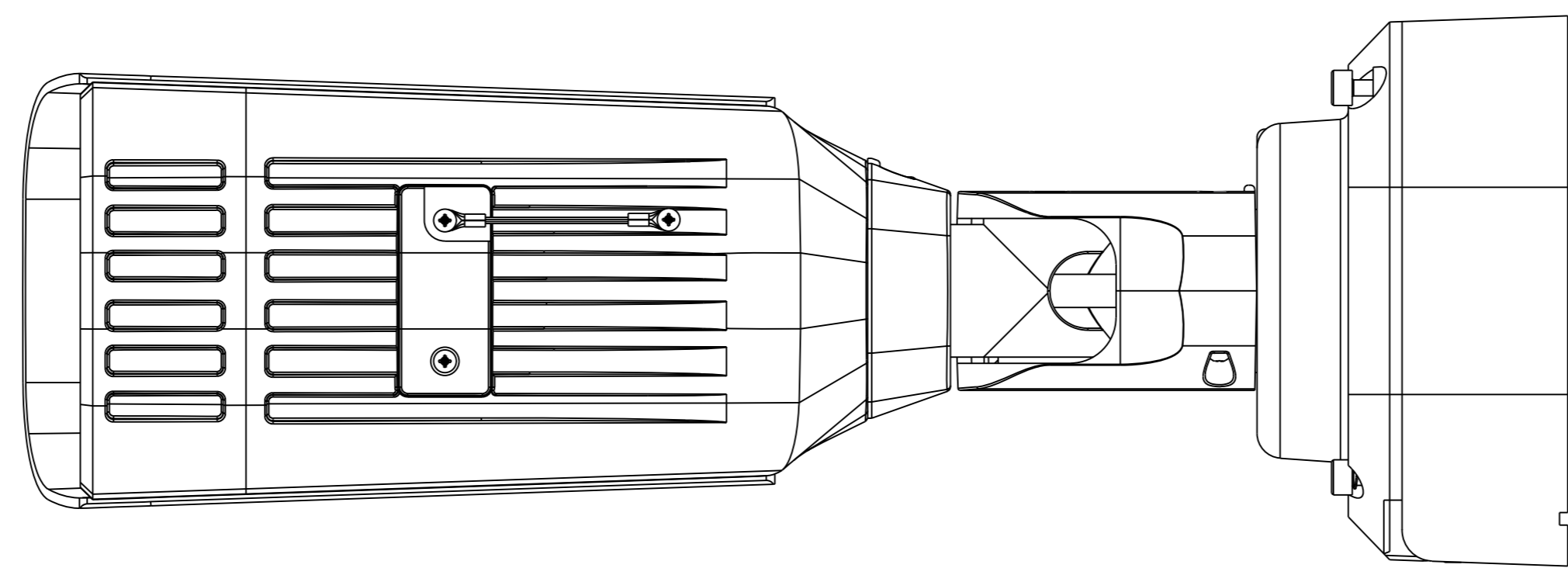
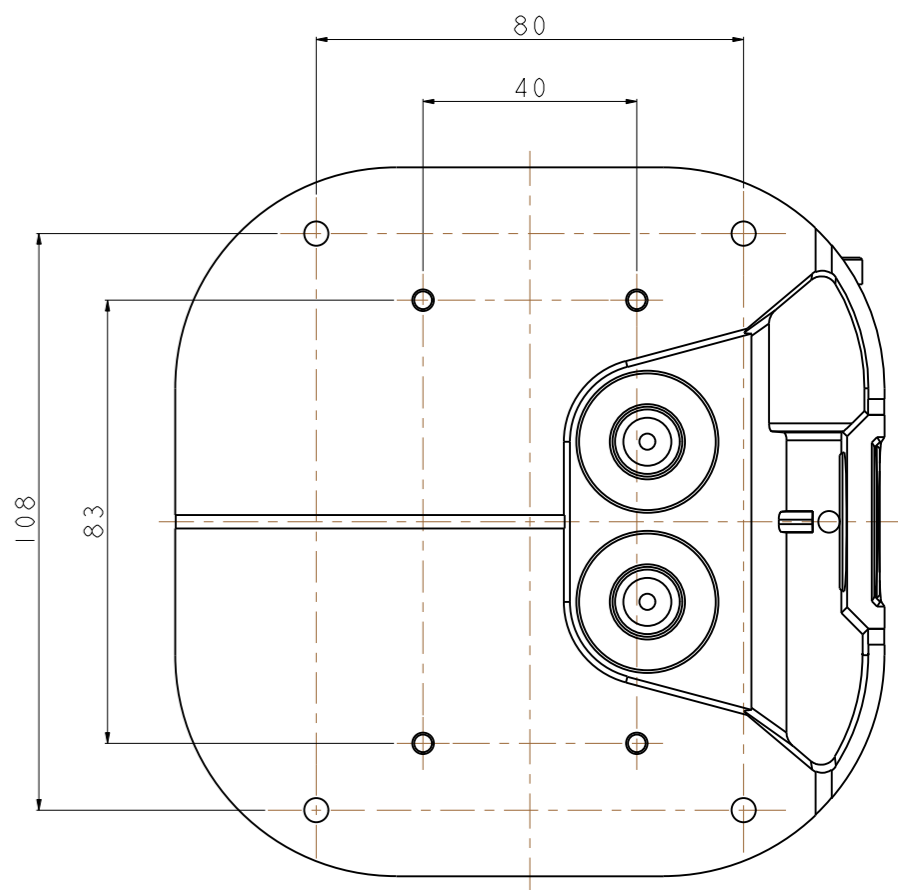
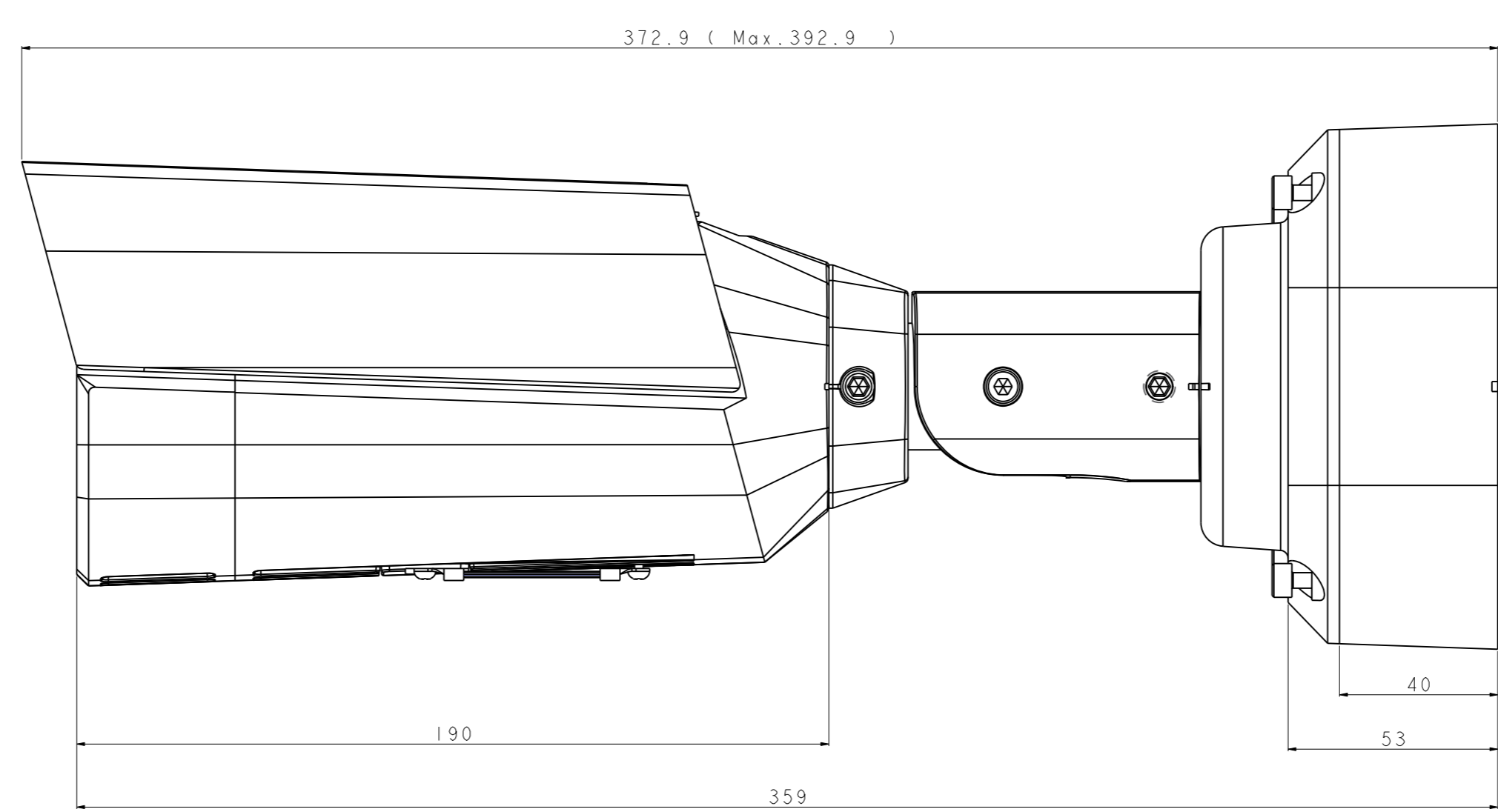
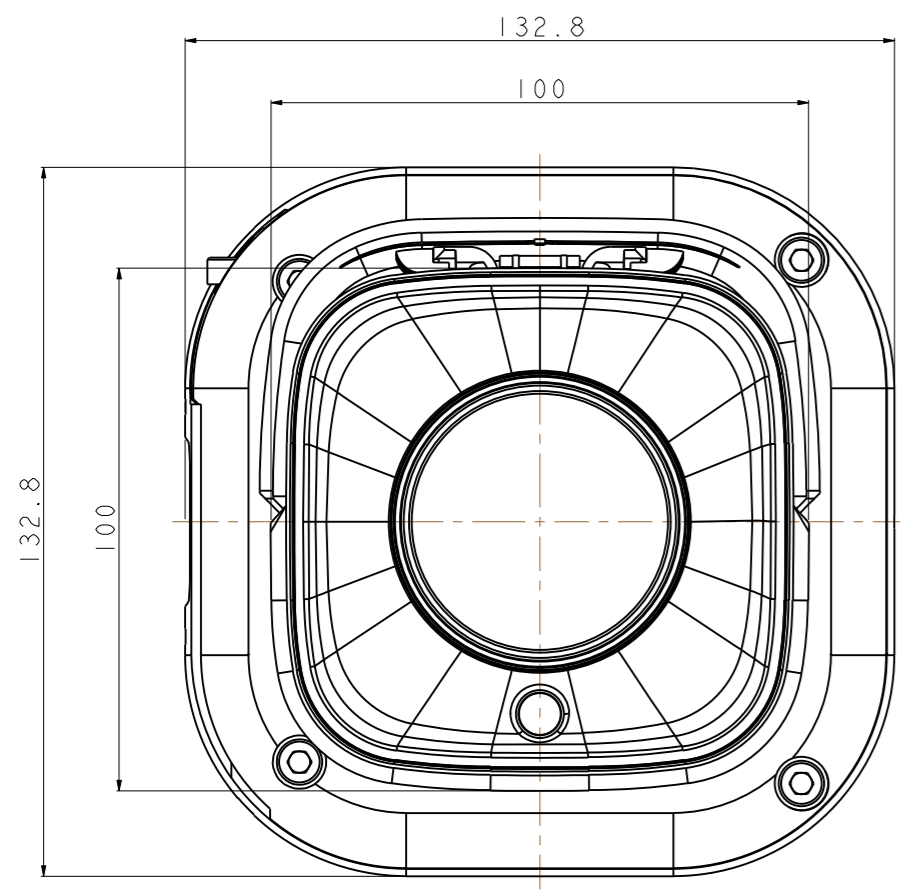
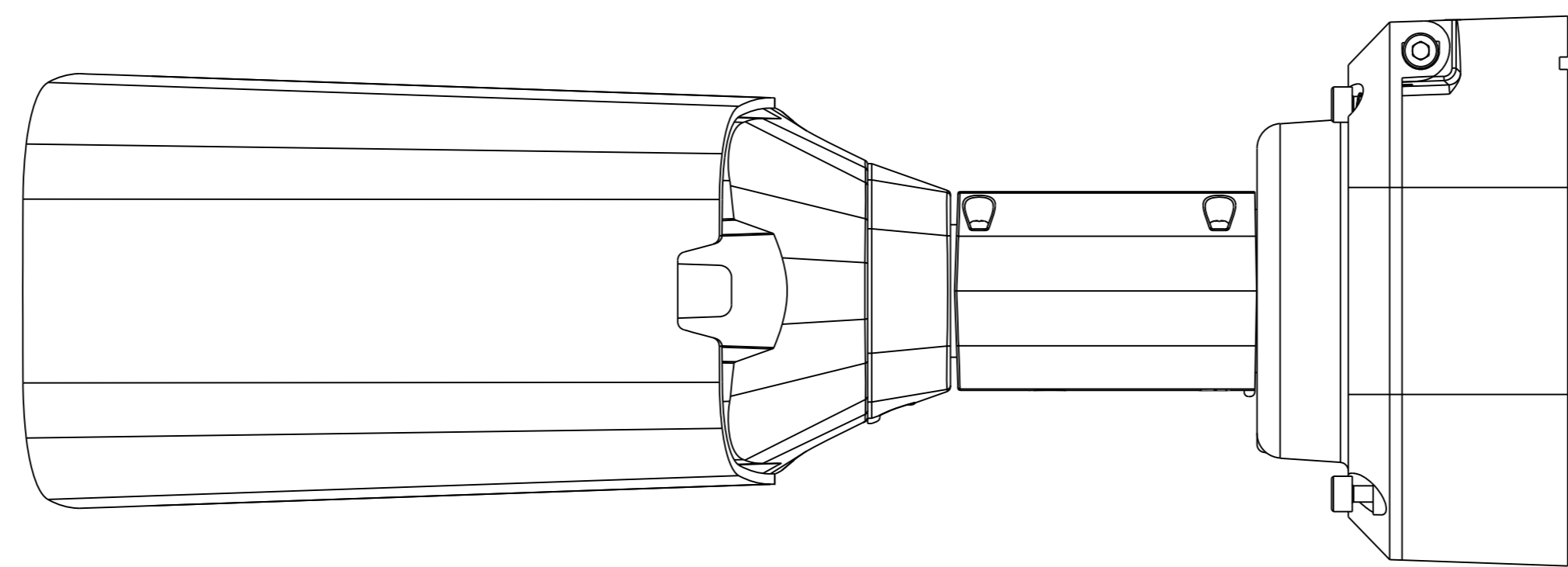


1 2 3 4 5 6 7 8 9 10 11 12 13 14 15 16 17

A
B
C
D
E
F
G
H
I
J
K
L



Grade	Angle	Finish	Scale
	±	Material	1/1
Tolerance Ranges			
± Under	0.1 0.1 0.1 0.2 0.5	Heat	
± - 16 Under	0.1 0.1 0.2 0.3 0.8	Surface	
± - 49 Under	0.1 0.2 0.3 0.5 1.2	Treatment	
± - 75 Under	0.2 0.3 0.5 0.8 1.8	Part	
± - 100 Under	0.3 0.5 0.8 1.2 3.0	Name	NC-A680 Series
± - 200 Under	0.8 1.2 1.8 5.0	Part No	
Approved	Checked	Designer	Drifter
Relative Part No			No
A1 IDIS CO.,LTD			