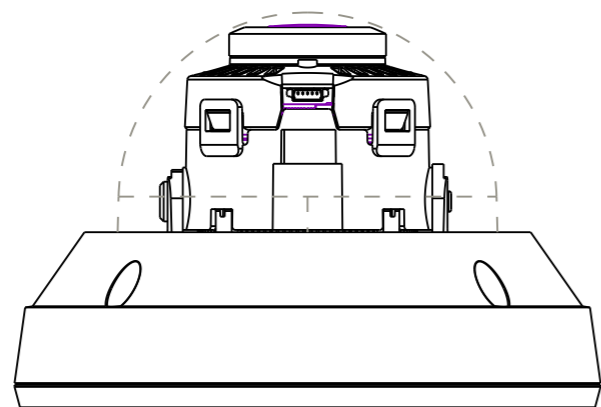
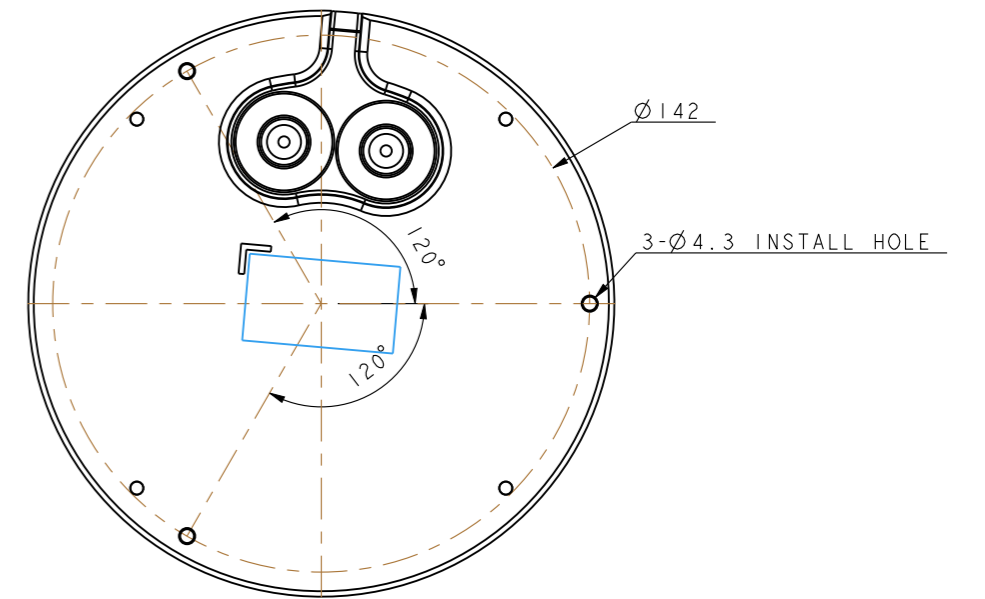
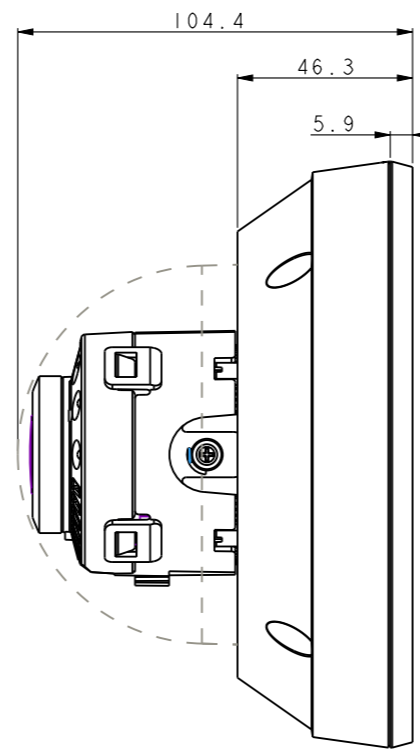
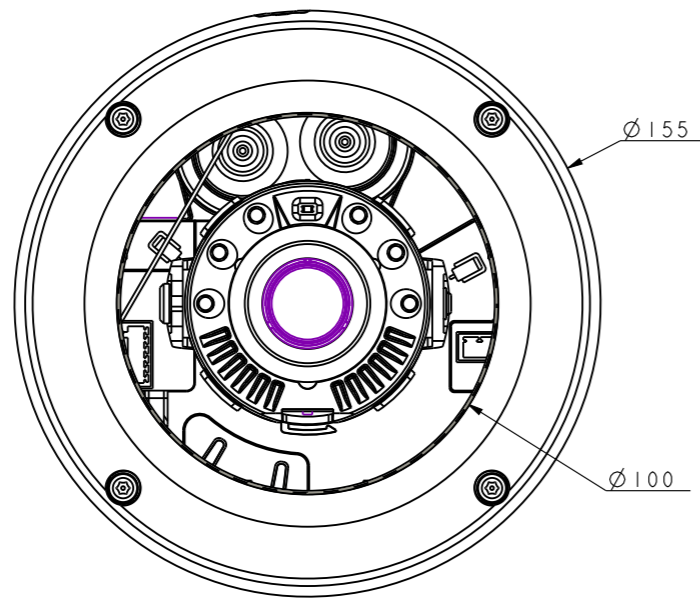
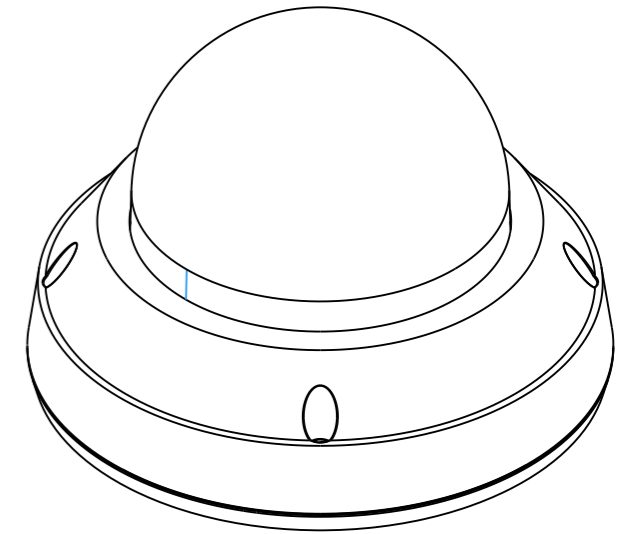
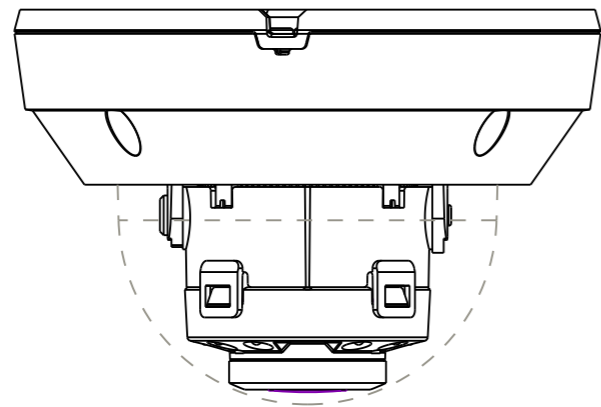


1 2 3 4 5 6 7 8

A
B
C
D
E
F



		Grade		Angle		Finish		Scale	
				±		Material		2:1	
		Tolerance Range(±)				Heat Treatment			
Dimension	Grade	1	2	3	4	5	Surface Treatment		
4 Under		0.1	0.1	0.1	0.2	0.5	Part Name		
4 ~ 16 Under		0.1	0.1	0.2	0.3	0.8	LAYOUT, DC-D4831HRX ODM		
16 ~ 63 Under		0.1	0.2	0.3	0.5	1.2	Part No		
63 ~ 250 Under		0.2	0.3	0.5	0.8	1.8	4XXXXXX		
250 ~ 1000 Under		0.3	0.5	0.8	1.2	3.0			
1000 ~ 2000 Under		0.8	1.2	1.8	5.0				
Approved	Checked	Designer	Drafter	Name		Relative Part No			
SONG		SHIN	SHIN						