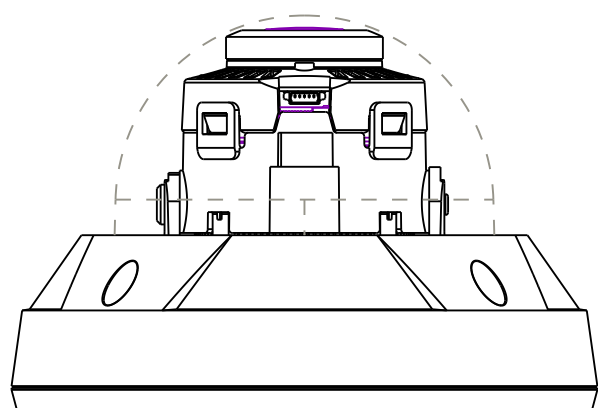
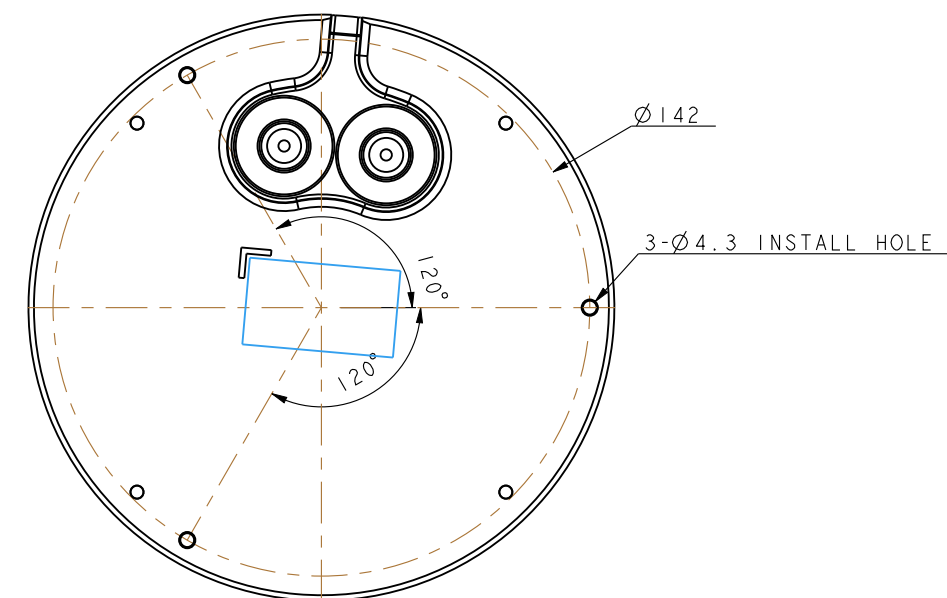
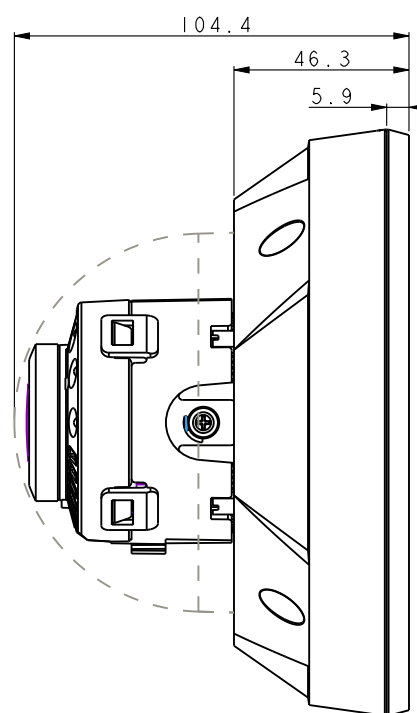
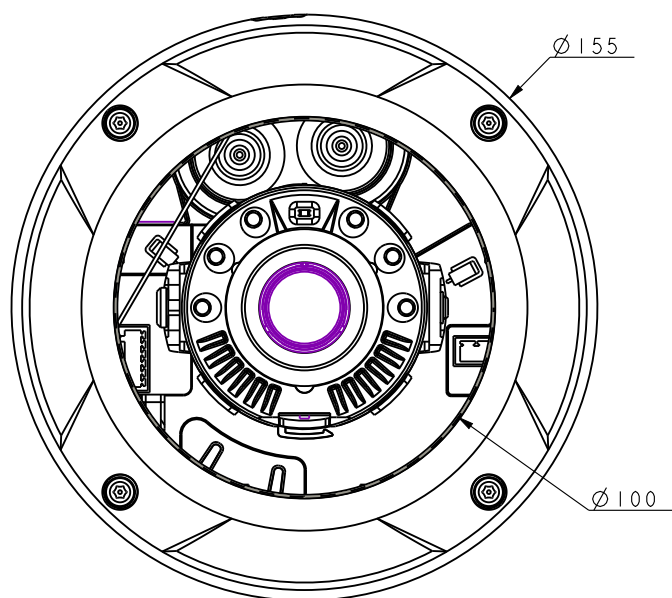
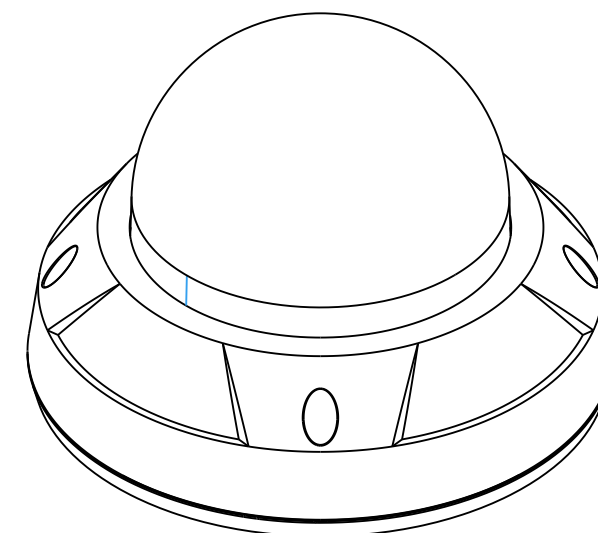
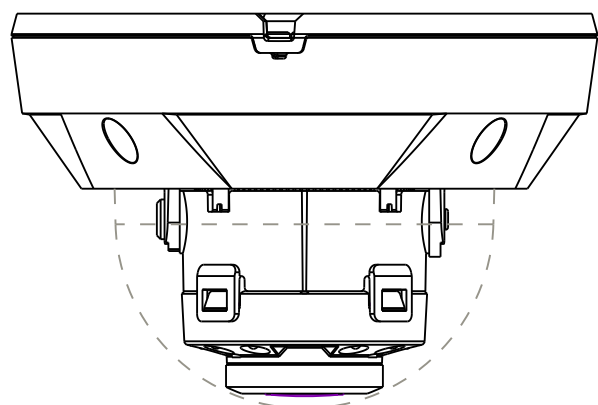


1 2 3 4 5 6 7 8

A
B
C
D
E
F



		Grade					Angle		Finish		Scale
							±				2:1
		Tolerance Range(±)									
		Dimension		Grade		1	2	3	4	5	Heat Treatment
		4 Under				0.1	0.1	0.1	0.2	0.5	
		4 ~ 16 Under				0.1	0.1	0.2	0.3	0.8	Surface Treatment
		16 ~ 63 Under				0.1	0.2	0.3	0.5	1.2	
		63 ~ 250 Under				0.2	0.3	0.5	0.8	1.8	Part Name
		250 ~ 1000 Under				0.3	0.5	0.8	1.2	3.0	Name
		1000 ~ 2000 Under				0.8	1.2	1.8	5.0		LAYOUT, BRAND
Approved	NEW	Checked	Designer	Drafter	Name						Part No
SONG			SHIN	SHIN							DC-D4831HRX
											4XXXXXX