

DA-ES1104

DA-ES1104B

DA-ES1104C

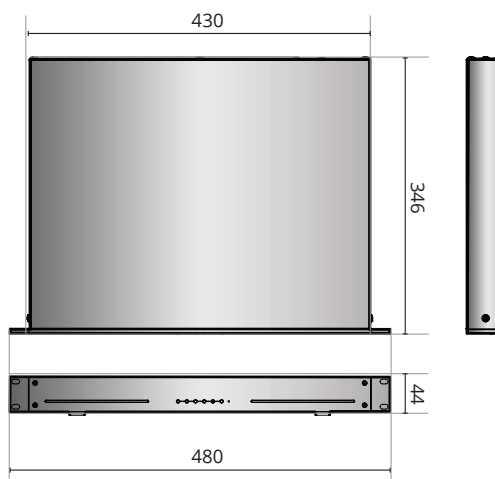
DA-ES1104D



- 19 inch Rack-mount Type
- Best Combination with DirectIP NVR
- Supports RAID Levels 0,1+0,5
- SATA to SATA Port Multiplier
- Maximum of 3.0Gbps Transfer Rate (SATA II)
- Installation of the Maximum of Four Hard Disk Drives
- Maximised Space Saving and Capacity Relative to Cost
- Easy Expansibility to a Very Large Storage Pool

DIMENSIONS

(Unit - mm)



SPECIFICATIONS

HARDWARE		
Interface	eSATA x 1	
Number of Drives	SATA II x 4	
Drive Size	3.5"	
Drive Type	SATA II	
Supported Device	DA-ES1104	TR-4308(R), TR-4316(R)
	DA-ES1104B	DR-2304P(-A), DR-2308P(-A), DR-2316P(-A) DR-4308P, DR-4316PS DR-6308P(-S)A, DR-6316PS(-S)A, DR-6332PS(-S)A DR-2404P(-A) DR-6508P, DR-6516P, DR-6532P TR-4408(R), TR-4416(R)
	DA-ES1104C	IR-100 DR-8364(F)(D)
	DA-ES1104D	IR-300A, IR-310D
PERFORMANCE		
Type and Rate	SATA II (3Gbps)	
RAID	0, 1 + 0, 5	
Max Drive Capacity	DA-ES1104	24TB(up to 6TB per bay)
	DA-ES1104B	48TB (up to 12TB per bay)
	DA-ES1104C	40TB(up to 10TB per bay)
	DA-ES1104D	40TB (up to 10TB per bay)
GENERAL		
Dimensions (W x H x D)	480mm x 44mm x 346mm (18.9" x 1.7" x 13.6")	
Weight	6.4kg (14.11lb)	
Operation Temperature	0°C ~ 40°C (32°F ~ 104°F)	
Power Input	100V ~ 240VAC, 0.6-0.3A, 50/60Hz	
Power Consumption	100-240V~, 50/60Hz, 0.6-0.3A, 40W	
Approvals	FCC, CE	