

DC-D4531WERX



- Onvif Protocol
- 5MP (2592 x 1944) Resolution
- Motorized Vari-focal(f = 2.7 - 12 mm)
- PoE (IEEE 802.3af Class 3)
- micro SD / SDHC / SDXC
- Audio In / Out
- Day and Night (ICR)
- True Wide Dynamic Range (WDR)

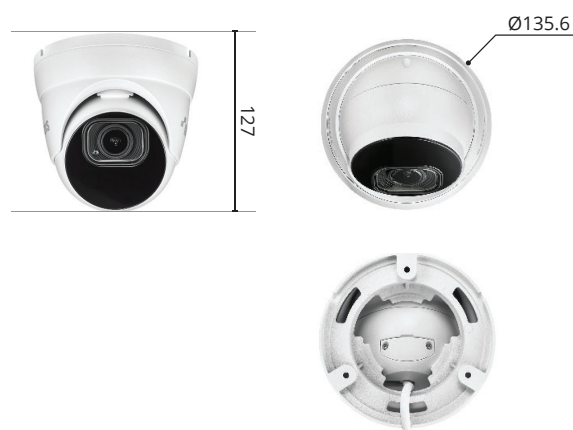


SPECIFICATIONS

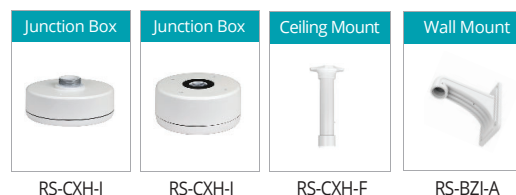
| VIDEO | |
|----------------------------|--|
| Image Sensor | 1/2.7" CMOS |
| Max. Resolution | 2592 x 1944 |
| Scanning Mode | Progressive Scan |
| Lens Type | Motorized Vari-focal |
| Focal Length | f = 2.7 - 12 mm |
| Aperture | F 1.83 (Wide) ~ 3.32 (Tele) |
| Iris Control | DC IRIS |
| Angular Field of View Wide | 99°(H), 72°(V), 131°(D) |
| Min. Illumination | Color 0.05Lux @ F1.2 (AGC On) B/W 0 Lux @ IR On |
| Dynamic Range | 120dB, True WDR |
| Electronic Shutter Speed | 1/5 ~ 1/20000s, Anti-Flicker, Slow Shutter (1~1/5, 1/7.5, 1/15) |
| Day and Night | IR Cut Filter with Auto Switch |
| IR Distance (LEDs) | 45 m (4 ea) |
| Pan/Tilt Range | Bracket: Pan 0-360°; Lens: Pan 0-360°, Tilt: 0-80° |
| NETWORK | |
| Video Compression | H.265, H.264 (MP) |
| Bit rate Control | CBR / VBR |
| Max. Frame Rate | 30fps : 2592x1944 (WDR) |
| Audio Compression | G711A (G.711 a-Law), G711U (G.711 u-Law), ADPCM 16K, G726 |
| Supported Resolution | 2592 x 1944, 2592 x 1520, 2304 x 1296, 1920 x 1080, 1280 x 960, 1280 x 720 |
| Multi-Video Streaming | Triple |
| Ethernet | RJ45(10/100BASE-T) |
| Edge Storage (Optional) | Micro SD/SDHC/SDXC memory card (class 6 or higher, max. 256GB) |
| Audio and Alarm | |
| Audio In/Out | RCA 1ea / RCA 1ea |
| Alarm In | 1 Switch Input |
| Alarm Out | 0.5 A at 125 VAC / 2A at 30 VDC |
| ENVIRONMENTAL | |
| Operating Temperature | -30°C ~ +55°C (-22°F ~ +131°F) |
| Operating Humidity | 0% ~ 90% |
| ELECTRICAL | |
| Power Source | DC 12 V, POE (IEEE 802.3af Class 3) |
| Power Consumption | Max. 9 W |
| Approvals | FCC, CE, IP66 |
| MECHANICAL | |
| Dimensions | Ø135.6 mm x 127 mm (Ø5.3" x 4.95") |
| Weight | 0.84 kg (1.85 lb) |

DIMENSIONS

(Unit - mm)



ACCESSORIES (OPTIONAL)



ACCESSORIES CONFIGURATION TREE

