

Explosion-Proof PTZ Camera

YK-EP2014HS

- Explosion Proof Level: Ex db II C T6 Gb / Ex tb IIIC T80°C Db
- Enclosure Material : Stainless Steel 316L
- 36x Zoom 2Megapixel Network Camera
- Min. Illumination : 0.001Lux
- Pan Rotation Range : 360° endless
- Tilt Rotation Range : -90°~90°
- Pan : 0.1° ~ 60%/s; Tilt : 0.1° ~ 30%/s
- Pan : 0.1° ~ 60%/s; Tilt : 0.1° ~ 60%/s (Option)

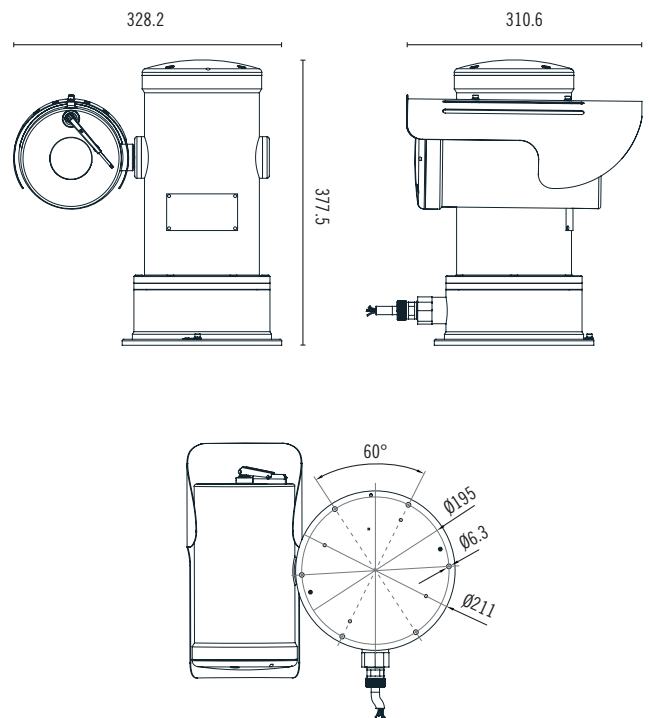


SPECIFICATIONS

Explosion Proof	
Ex-proof Level	Ex db II C T6 Gb / Ex tb IIIC T80°C Db
Enclosure Material	Stainless Steel 316L
Window Material	Borosilicate, Bothside Nano
Surface Polishment	Electro-polished
Protection Level	IP68, ATEX
Camera	
Image Sensor	1/1.8" SONY CMOS
Effective Pixels	Approx. 2 million
Signal System	PAL / NTSC
Lens Value	36x Zoom, f=5.52mm (wide) ~ 198.7mm (tele), F1.5 to F4.3
Horizontal Angle	61.2° (Wide End) ~ 2.32° (Tele End)
Minimum Object Distance	10mm (wide) ~ 1,500mm (tele)
S/N Ratio	More than 52Db
Min. Illumination	Color : 0.001Lux @ (F1.2,AGC ON) B/W : 0.001Lux @ (F1.2,AGC ON)
Day/Night	Color / Black & White / Auto
Wide Dynamic Range	Super Wide Dynamic / Digital Wide Dynamic, 0 ~ 100 digital adjust-
Exposure mode	Auto Exposure / Aperture Priority / Shutter Priority / Manual Exposure / Lowlight Priority / Highlight Priority
White Balance	Auto, ATW, Indoor, Outdoor Auto, One-push, Manual
Ethernet	RJ-45 (10/100Base-T)
Protocol	TCP/IP, HTTP, DHCP, DNS, DDNS, RTP, RTSP, PPPoE, SMTP, NTP, UPnP, FTP, ONVIF Profile S
Resolution	50Hz : 25fps (1920X1080) 60Hz : 30fps (1920X1080)
Video Compression	H.265/H.264
PAN/TILT	
Rotation Speed	Pan : 0.1° ~ 60%/s; Tilt : 0.1° ~ 30%/s, Pan : 0.1° ~ 60%/s; Tilt : 0.1° ~ 60%/s (Option)
Pan Rotation Range	0° ~ 360° continuous
Tilt Rotaion Range	-90° ~ 90°
Preset	220
Preset accuracy	±0.1°
Lens control speed	Zoom, focus continuously adjustable control speed
PTZ speed adaptive	Support
Automatic cruise	Support One
Automatic scanning	Support One
Keep Watch	One preset or one automatic cruise route or one auto scan route can
Wiper Control	Support
General	
Power Supply	AC 24V ±25%
Power Consumption	96W
Working Environment	Temperature: -40°C ~ 60°C Humidity: ≤90% RH (No condensing, no heating)
Dimensions	310(W) x 338(L) x 377.5(H)mm
Weight	28kg

DIMENSIONS

(Unit - mm)



ACCESSORIES CONFIGURATION TREE

