

Explosion-Proof Fixed Camera

YTU-7001EX

- Explosion Proof Level: Ex db II C T6 Gb / Ex tb IIIC T80°C Db
- Enclosure Material : Stainless Steel 316L
- 36x Zoom 2Megapixel Network Camera
- Min. Illumination : 0.001Lux

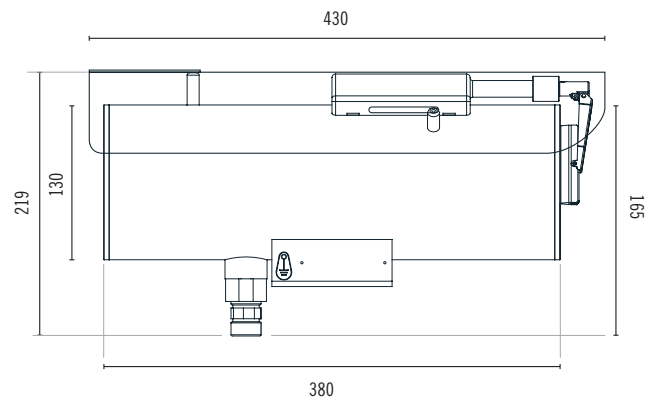
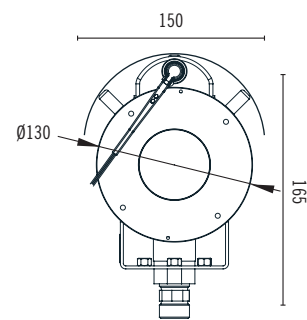


SPECIFICATIONS

Explosion Proof	
Ex-proof Level	Ex db II C T6 Gb / Ex tb IIIC T80°C Db
Enclosure Material	Stainless Steel 316L
Window Material	Borosilicate, Bothside Nano Coating
Surface Polishment	Electro-polished
Camera	
Image Sensor	1/1.8" SONY CMOS
Effective Pixels	Approx. 2 million
Signal System	PAL / NTSC
Lens Value	36x Zoom, f=5.52mm (wide) ~ 198.7mm (tele), F1.5 to F4.3
Horizontal Angle	61.2° (Wide End) ~ 2.32° (Tele End)
Minimum Object Distance	10mm (wide) ~ 1,500mm (tele)
S/N Ratio	More than 52Db
Min. Illumination	Color : 0.001Lux @ (F1.2,AGC ON) B/W : 0.001Lux @ (F1.2,AGC ON)
Day / Night	Color / Black & White / Auto
Wide Dynamic Range	Super Wide Dynamic / Digital Wide Dynamic, 0 ~ 100 Digital Adjustment
Exposure mode	Auto Exposure / Aperture Priority / Shutter Priority / Manual Exposure / Lowlight Priority / Highlight Priority
White Balance	Auto, ATW, Indoor, Outdoor Auto, One-push, Manual
Ethernet	RJ-45 (10/100Base-T)
Protocol	TCP/IP, HTTP, DHCP, DNS, DDNS, RTP, RTSP, PPPoE, SMTP, NTP, UPnP, FTP, ONVIF Profile S
Resolution	50Hz : 25fps (1920 x 1080) 60Hz : 30fps (1920 x 1080)
Video Compression	H.265 / H.264
General	
Power Supply	AC 24V ±25%
Power Consumption	≤35W
Working Environment	Temperature: -40°C ~ 60°C Humidity: ≤90% RH (No condensing, no heating)
Dimensions	380(L) x 130(W) x 165(H)mm
Weight	8kg

DIMENSIONS

(Unit - mm)



ACCESSORIES CONFIGURATION TREE

