

DA-CM1200 INSTALLATION MANUAL



This manual is intended for users of the DA-CM1200 ceiling mounting bracket. It includes instructions for mounting the DA-CM1200 ceiling mounting bracket to a ceiling.

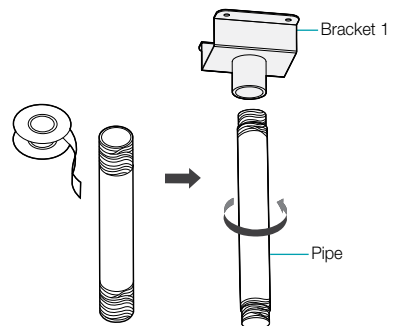
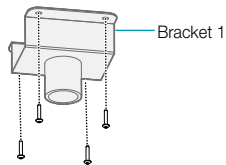


- **This bracket is intended to be used with DC-D series model of cameras. Do not use it with other models of cameras.**
- **This installation should be performed by a qualified service personnel in conformance to all local codes.**
- **You may need to reinforce the ceiling. If the ceiling is not strong enough to support the camera, the camera may fall.**
- **Do not use this product for other purposes.**

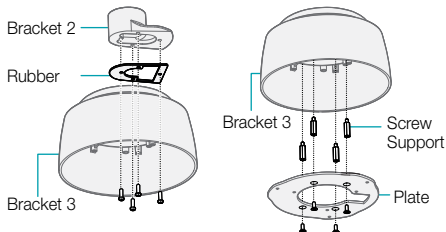
Mounting

Mount the bracket to the ceiling as follows:

- 1 Mount bracket 1 to the ceiling by using the screws.
- 2 Insert cables from external devices, network and power adapter into bracket 1.
- 3 Wrap teflon tape on the gap of the pipe.
- 4 Assemble the pipe into bracket 1.

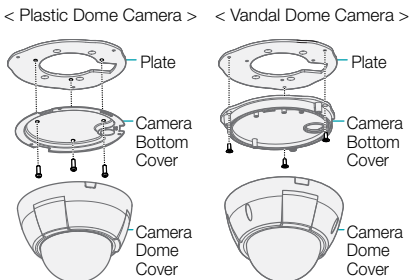


- 5 Attach rubber onto bracket 3.
- 6 Screw bracket 3 to bracket 2.
- 7 Connect hexagon screw supports to the screw holes marked as 4 on bracket 3.
- 8 Screw plate to the hexagon screw supports.



Connect your camera to the bracket as follows:

- 9 Screw the camera bottom cover onto the plate.
- 10 Connect the camera dome cover onto the camera bottom cover.
- 11 Turn on power.



Dimensions

Unit: mm (inch)

