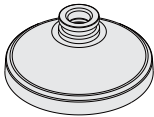


DA-MA4100 INSTALLATION MANUAL



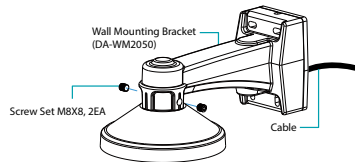
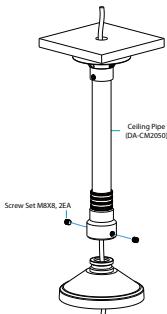
This manual is intended for users of the DA-MA4100 mounting bracket. It includes instructions for mounting DA-MA4100 to DA-CM2050 or DA-WM2050.



- **This bracket is intended to be used with a specific model of camera. Do not use it with other models of cameras except for those approved by the dealer or distributor.**
- **This installation should be performed by a qualified service personnel in conformance to all local codes.**
- **You may need to reinforce the ceiling. If the ceiling is not strong enough to support the camera, the camera may fall.**
- **Do not use this product for other purposes.**

Mounting

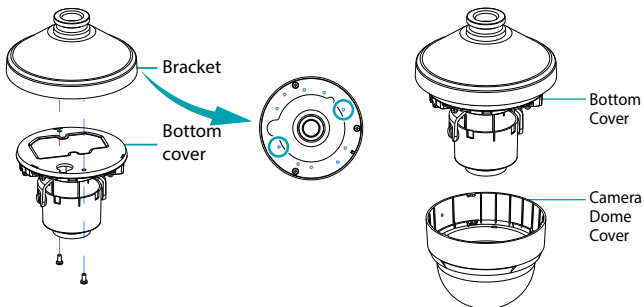
Mount the bracket to the ceiling pipe(DA-CM2050) or wall mounting bracket(DA-WM2050) as follows:



- 1 Insert cables from external devices, network and power adapter into bracket.
- 2 Assemble bracket into the ceiling pipe (DA-CM2050) or wall mounting bracket(DA-WM2050) and fix it by using the screws. The ceiling pipe and wall mounting bracket are sold separately.

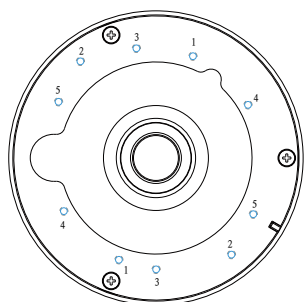
Connect your camera(DC-D4223RX) to the bracket as follows:

- 3 Screw the bottom cover onto bracket and then screw the camera dome cover onto the bottom cover.



4 Turn on power.

Connect your specific model of camera to the bracket as follows:



Screw No.1 (2-point): DC-Y6513RX using screw A

Screw No.2 (2-point): DC-Y6513WRX using screw A

Screw No.3 (2-point): DC-D4213WRX, DC-D4513WRX using screw B

Screw No.4 (2-point): DC-D4223RX, DC-D4233RX, DC-D4533RX using screw B

Screw No.5 (2-point): TC-D4222WRX using screw B

<Screw type>

A

B



Dimension

Unit: mm (inch)

