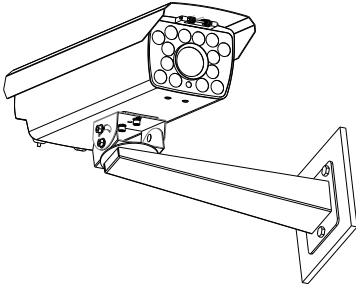


DA-WM3200 INSTALLATION MANUAL

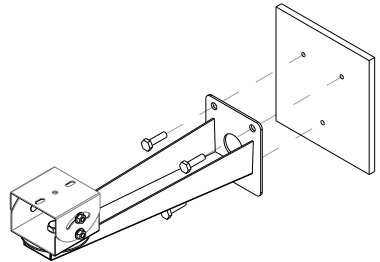


This manual is intended for users of the DA-WM3200 wall mounting bracket. It includes instructions for mounting the DA-WM3200 wall mounting bracket to a wall.

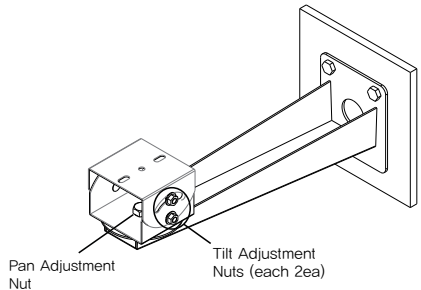
- ✓
This bracket is intended to be used with DC-T62XX series model of camera. Do not use it with other models of cameras.
- This installation should be performed by a qualified service personnel in conformance to all local codes.**
- You may need to reinforce the wall. If the wall is not strong enough to support the camera, the camera may fall.**
- Do not use this product for other purposes.**

Mounting

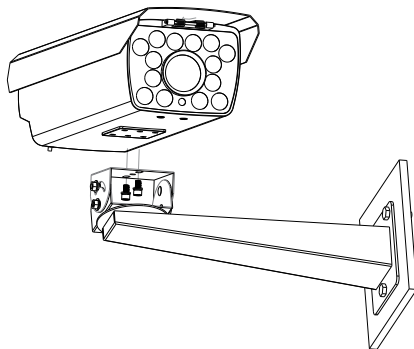
- 1 Fasten the wall mount by using the M8 anchor bolts or nuts (not provided).



- 2 Adjust the camera angle by loosening the tilt or pan adjustment nuts.



- 3 Fasten the camera to the bracket by using the screws.
- 4 Adjust the camera angle. Make sure tilt and pan nuts are firmly fixed.
- 5 Turn on power.



Dimensions

Unit: mm (inch)

